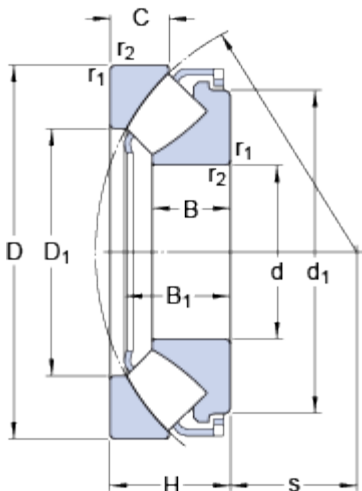


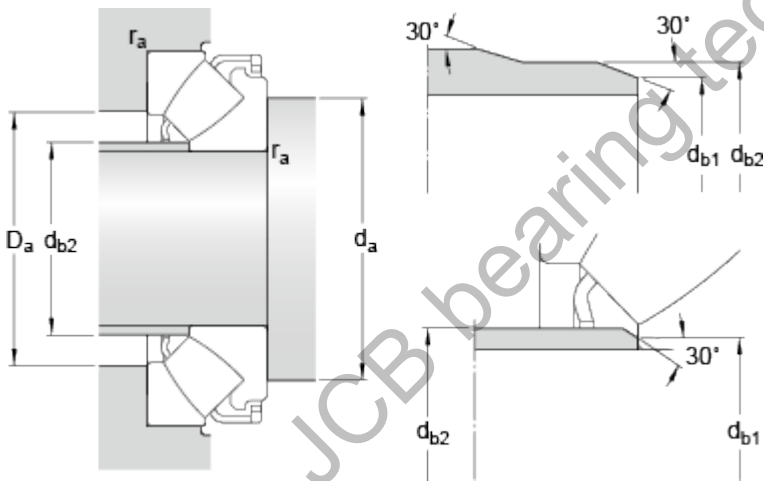
29415

Dimensions



d	75	mm
D	160	mm
H	51	mm
d ₁	≈ 138	mm
D ₁	≈ 106	mm
B	33.5	mm
B ₁	45.7	mm
C	24.5	mm
s	47	mm
r _{1,2}	min. 2	mm

Abutment dimensions



d _a	min. 115	mm
d _{b1}	max. 82.5	mm
d _{b2}	max. 82.5	mm
D _a	max. 133	mm
r _a	max. 2	mm

Calculation data

Basic dynamic load rating	C	600	kN
Basic static load rating	C ₀	1430	kN
Fatigue load limit	P _u	173	kN
Reference speed		2400	r/min
Limiting speed		4000	r/min
Minimum axial load factor	A	0.19	

Mass

Mass bearing		4.7	kg
--------------	--	-----	----